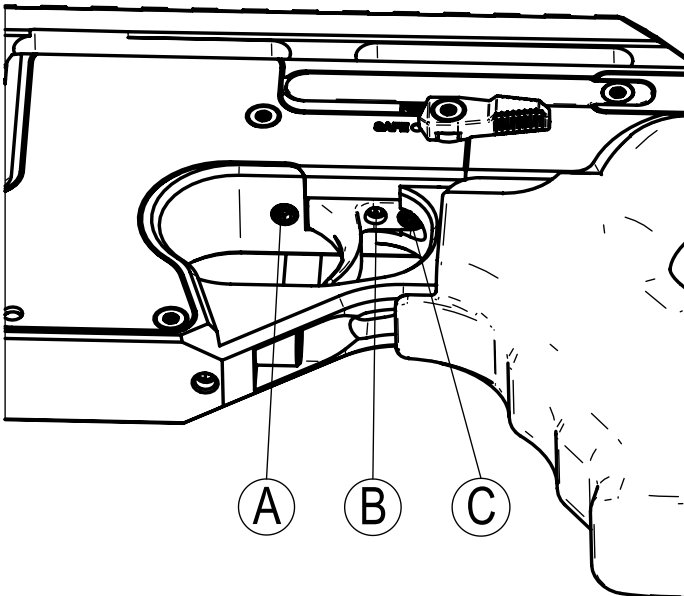


## Power adjustment

1. Loosen screw (A).
2. Adjust a power by screw (B).  
Clockwise - to increase speed.  
Counterclockwise - to decrease speed.
3. Then adjustment is done tighten screw (A).



## Trigger adjustment

1. Adjust a second stage of trigger length (A):  
Clockwise - decrease.  
Counterclockwise - increase.
2. Adjust a first stage of trigger length (B):  
Clockwise - decrease.  
Counterclockwise - increase.
3. Adjust a first stage of trigger weight (C):  
Clockwise - increase.  
Counterclockwise - decrease.