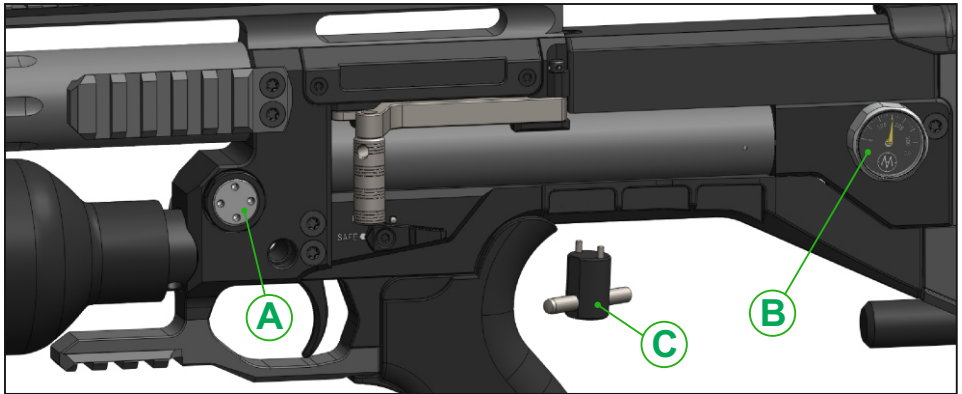


# PRESSURE REGULATOR Mk4 ADJUSTMENT

# KRAIT

**Warning!** Pressure regulator is a very sensitive device. Incorrect operations can damage the pressure regulator.



## To increase the plenum pressure

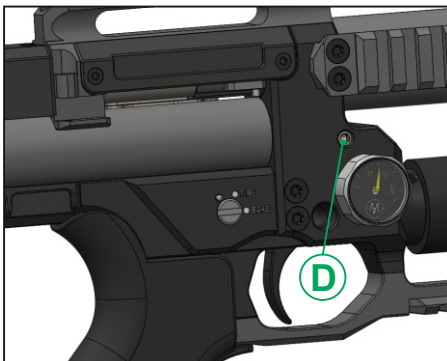
Turn the silver nut (A) counterclockwise with our special tool (C) you can buy or some other tools like scissors atd. Put it in the holes. The plenum pressure will increase and the current pressure will be shown at the pressure gauge (B). Continue turning the nut (A) by small amounts until the desired plenum pressure is achieved. Make a few dry shots to confirm the settings is correct. Repeat these steps again if needed.

## To reduce plenum pressure

**Warning!** The plenum pressure decreasing under pressure in the rifle **WILL** damage the regulator!

Drain ALL air by loosening the bleed screw (D). Make sure there is no air in the rifle.

Screw in the nut (A) clockwise until it stops. Do not force it!



Tighten in the bleed screw (D) and refill the rifle with air (you may need to cock the rifle during this step).

Now you can follow the steps for increasing the plenum pressure as detailed above.

**HUMA-AIR**  
REGULATED

**AirMaks**  
arms