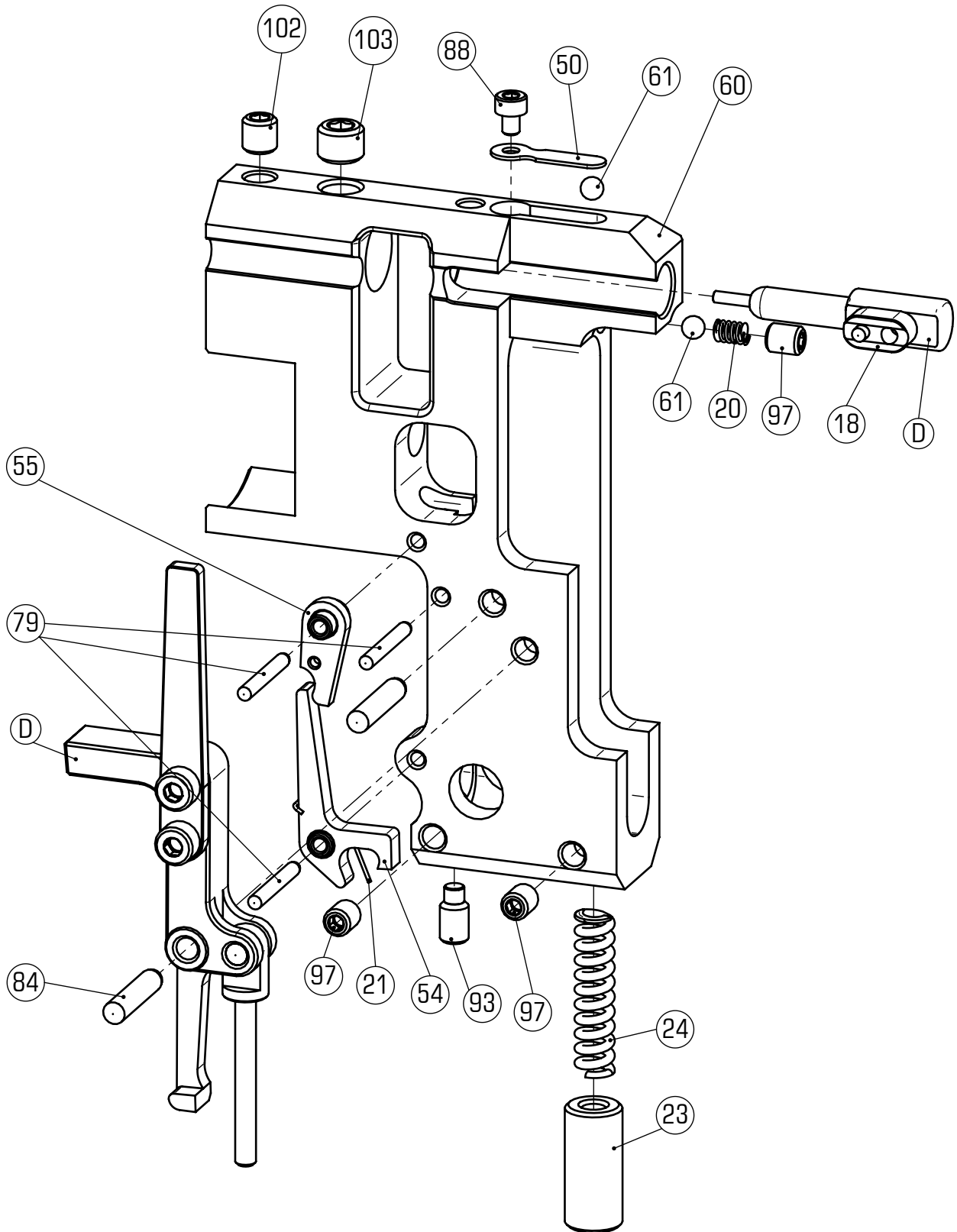


CAIMAN MKII  
exploded view

A



CAIMAN MKII  
exploded view

Item No	Designation	Description EN	Qty.
1	MBA.02.02	Moderator nut	1
2	MBA.02.01	Moderator plug A	1
3	MB.01.11.03	Butt-pad rubber	1
4	MB.01.11.02	Butt-pad leader	1
5	MB.01.11.01	Butt-pad plank	1
6	MB.01.10.01-02	Air cylinder tube D	1
7	MB.01.09.02	Moderator cup	2
8	MB.01.08.03	Stock bushing	2
9	MB.01.06.01-01	Feeder 5.5	1
10	MB.01.04.03-01	Air cylinder front plug B	1
11	MB.01.02.18	Stock plug	1
12	MB.01.02.17	Trigger spring	1
13	MB.01.02.16	Cocking spring	1
14	MB.01.02.15	Tension nut	1
15	MB.01.02.11	Trigger rod	1
16	MB.01.02.08	Trigger	1
17	MB.01.02.03	Cocking rod	1
18	MB.01.02.02	Bolt plank	1
19	MB.01.02.01	Barrel 5.5 A	1
20	MB.01.01.11	Safety spring	1
21	MB.01.01.10	Sear spring	1
22	MB.01.01.09	Sear bushing	2
23	MB.01.01.07	Hammer screw	1
24	MB.01.01.06	Hammer spring	1
25	MB.01.00.04	Lever upper handle	1
26	MB.01.00.03	Lever handle	1
27	MB.01.00.01	Safety	1
28	AMA.03.17.04	Adapter bushing (KRT)	1
29	AMA.03.07.03	Monoblock valve (KRT)	1
30	AMA.02.20.04	Regulator screw (KAT)	1
31	AMA.02.20.03	Regulator saddle (KAT)	1
32	AMA.02.20.02	Regulator piston (KAT)	1
33	AMA.02.20.01	Regulator case (KAT)	1
34	AMA.02.10.03	Adapter nut (KAT)	1
35	AMA.02.10.01	Air cylinder adapter (KAT)	1
36	AMA.02.09.01	Moderator holder (KAT)	1
37	AMA.02.07.02	Valve bushing (KAT)	1
38	AMA.02.07.01	Valve (KAT)	1

Item No	Designation	Description EN	Qty.
39	AMA.02.04.04	Valve spring (KAT)	1
40	AMA.02.03.03	Guide rode (KAT)	1
41	AMA.02.02.03	Moderator bushing (KAT)	1
42	AMA.01.21.06	Cheek-piece bushing (CAI1)	1
43	AMA.01.21.05	Cocking screw (CAI1)	3
44	AMA.01.21.04	Corbel A (CAI1)	1
45	AMA.01.21.03	Corbel (CAI1)	1
46	AMA.01.21.02	Cocking bushing (CAI1)	1
47	AMA.01.21.01	Accessory rail (CAI1)	1
48	AMA.01.19.02	Cocking lever link (CAI1)	1
49	AMA.01.19.01	Cocking lever (CAI1)	1
50	AMA.01.18.02	Trigger unit spring (CAI1)	2
51	AMA.01.18.01	Trigger plank (CAI1)	1
52	AMA.01.17.02	Hammer lever (CAI1)	1
53	AMA.01.17.01	Hammer (CAI1)	1
54	AMA.01.16.01	Sear (CAI1)	1
55	AMA.01.14.01	Trigger rocker (CAI1)	1
56	AMA.01.09.06	Moderator tube A (CAI1)	1
57	AMA.01.08.02	T-rail (CAI1)	1
58	AMA.01.08.01-01	Cheek-piece (CAI1)	1
59	AMA.01.08.01	Stock (CAI1)	1
60	AMA.01.01.20	Receiver (CAI1)	1
61		Ball 4	3
62		Chipboard screw 4x12 DIN 7505A	2
63		Chipboard screw 4x20 DIN 7505A	2
64		Internal circlip 14 DIN 472	1
65		Nut M3 DIN 934	1
66		Nut M5 DIN 557	1
67		O-Ring 14x2 70NBR	1
68		O-Ring 15x1 70NBR	2
69		O-Ring 22x3 90NBR	1
70		O-Ring 24x3 90NBR	1
71		O-Ring 25x3 90NBR	1
72		O-Ring 3,5x1,5 70SI red	1
73		O-Ring 3,5x1,5 90NBR	3
74		O-Ring 4x2 90NBR	1
75		O-Ring 5,5x1,5 70NBR	1

Item No	Designation	Description EN	Qty.
76		O-Ring 9x2 90NBR	1
77		Pin 2,5x12h6 DIN 6325	1
78		Pin 2,5x16h6 DIN 6325	2
79		Pin 2,5x20h6 DIN 6325	3
80		Pin 2,5x8h6 DIN 6325	1
81		Pin 2x12h6 DIN 6325	1
82		Pin 2x30h6 DIN 6325	1
83		Pin 4x10h6 DIN 6325	1
84		Pin 4x20h6 DIN 6325	2
85		Pressure gauge	1
86		Screw M3x16 DIN 7991 TX	1
87		Screw M3x3 DIN 913	1
88		Screw M3x4 DIN 912	2
89		Screw M3x6 BN 4851	1
90		Screw M4x10 DIN 915	1
91		Screw M4x12 DIN 912	2
92		Screw M4x14 DIN 7991	2
93		Screw M5x10 DIN 915	1
94		Screw M5x12 DIN 7991	2
95		Screw M5x12 DIN 912	1
96		Screw M5x16 DIN 7991	2
97		Screw M5x6 DIN 913	5
98		Screw M5x8 DIN 914	1
99		Screw M6x10 DIN 913	2
100		Screw M6x25 DIN 912	2
101		Screw M6x5 DIN 913	1
102		Screw M6x6 DIN 913	1
103		Screw M8x6 DIN 913	1
104		Spring washer 12,5x6,2x0,7 DIN 2093A	8
105		Trigger fork	2
106		Washer 3 DIN 433	1