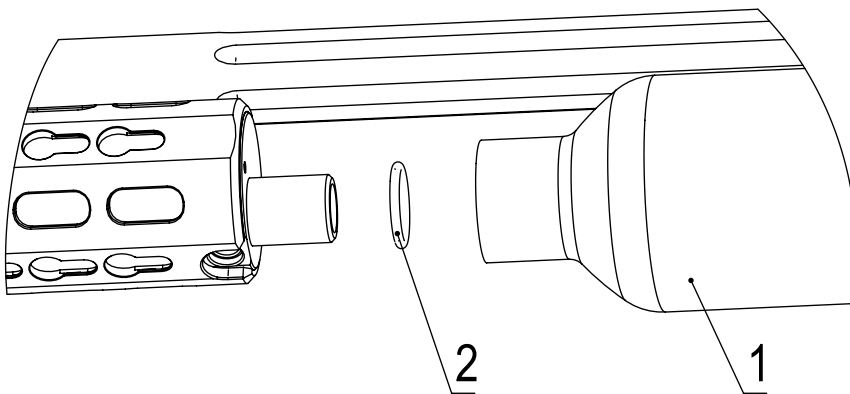


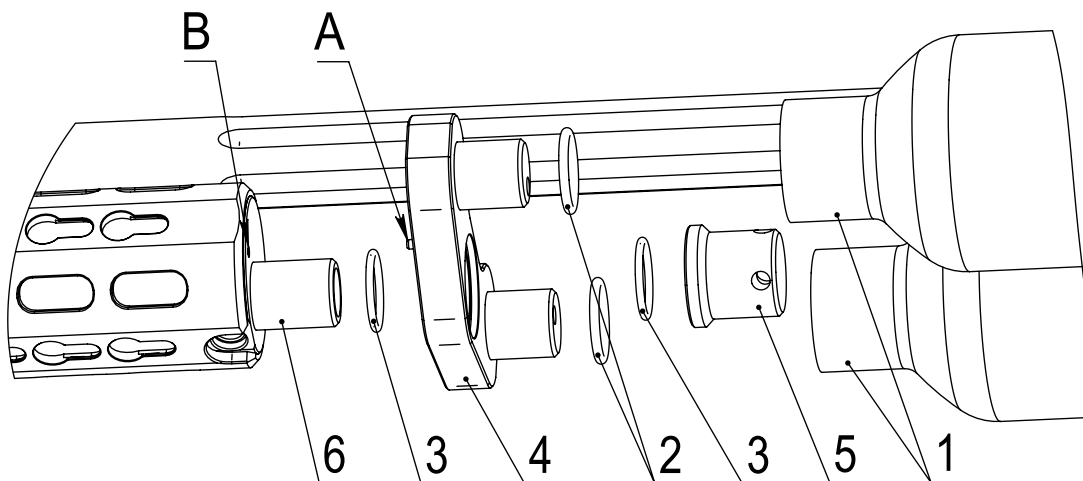
# Double adapter using manual

Be sure the Air rifle has no air under pressure!

1. Air cylinder.
2. O-ring 18x2,5 90NBR.
3. O-ring 18x2 90NBR.
4. Double adapter.
5. Nut.
6. Adapter.



1. Unscrew the air cylinder (1).
2. Take off the O-ring (2).



1. Put in the O-ring (3) on the Part (6).
2. Put in the O-rings (2) on the Double adapter (4).
3. Mount the Double adapter (4). Be sure the Pin (A) sits in the Hole (B).
4. Put in the second O-ring (3) on the Part (6).
5. Screw the Nut (5) tightly.
6. Screw the Air cylinders (1) on the Double adapter (4) tightly.